



Item No. _____

C713

C713

Soft Serve Freezer

Twin Twist

Features

Offers all the popular soft serve variations, from low or non-fat ice creams to custards, yogurt, and sorbet. Serve two separate soft serve flavors or an equal combination of both in a twist.

Freezing Cylinder

Two, 3.4 quart (3.2 liter).

Mix Hopper

Two, 20 quart (18.9 liter). Separate hopper refrigeration (SHR) maintains mix below 41°F (5°C) during Auto and Standby modes.

Indicator Lights

Digital readout displays hours since last brush-cleaning to ensure product safety. Mix Low light alerts operator to add mix. Audible alarm may be enabled to sound when mix is low. When the Mix Out light flashes, the unit shuts down automatically to prevent damage.

Touch Screen Controls

Microprocessor touch controls are embedded in a durable tempered glass panel. Multiple languages are selectable. Viscosity is continually measured to dispense consistent quality soft serve desserts. Temperatures in the hoppers or freezing cylinders may be displayed at any point of operation, in either Fahrenheit or Celsius. Draw counter allows operator to view number of servings dispensed.

Standby

During long no-use periods, the Standby feature maintains safe product temperatures in the mix hopper and freezing cylinder.

Two Locking Casters

Front casters have a locking feature for operators to keep equipment in place. The lock can be released to move the equipment for cleaning.

Door Interlock System

Protects the operator from injury as the beater will not operate without the dispensing door in place.

Freezer Door

A specially designed thermoplastic door allows quick ejection of product with a simple movement of the draw handle. Self-closing draw handles are standard.



Integrated Syrup Rail Option

2 room temperature with lids and ladles, 2 heated with syrup pumps

750 N. Blackhawk Blvd. Rockton, Illinois 61072
800-255-0626
Phone 815-624-8333 Fax 815-624-8000
www.taylor-company.com
info@taylor-company.com

ISO 9001:2015
Registered Firm



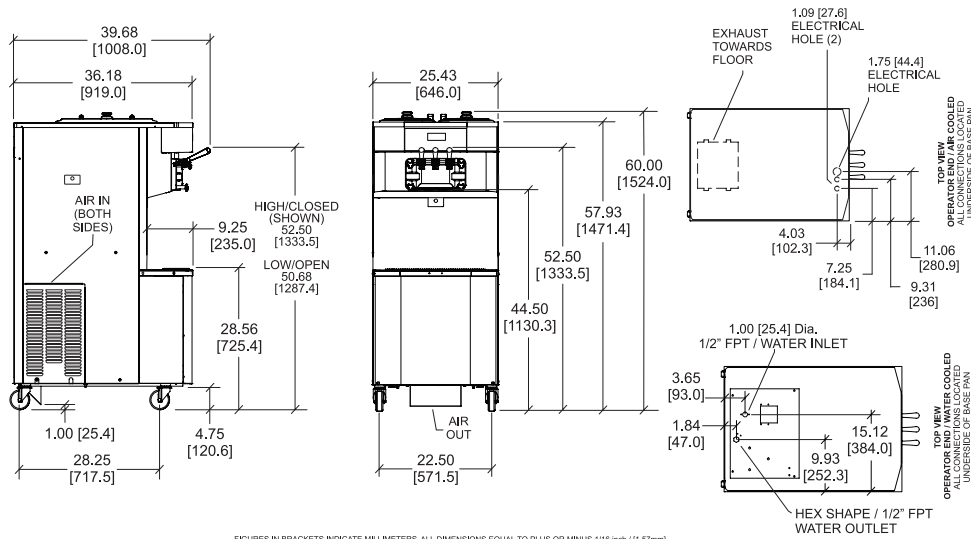
Standard 6



LISTED
SA2650



Selected 50/60
Hz. Models



FIGURES IN BRACKETS INDICATE MILLIMETERS. ALL DIMENSIONS EQUAL TO PLUS OR MINUS 1/16 inch (1.57mm).

Weights	lbs.	kgs.
Net	733	332.5
Crated	810	367.4
<i>*For reference only.</i>		
	cu. ft.	cu. m.
Volume	67.5	1.91
Dimensions	in.	mm.
Width	25-7/16	646
Depth	36-3/16	919
Height	60	1524
Floor Clearance	4-3/4	121

**Mounted on standard casters.*

Electrical	Maximum Fuse Size		Minimum Circuit Ampacity		Poles (P) Wires (W)
	Left	Right	Left	Right	
208-230/60/1 Air	25	25	21	19	2P 3W
208-230/60/1 Air, Syrup	30	25	22	19	2P 3W
208-230/60/1 Water	25	25	20	19	2P 3W
208-230/60/3 Air	15	15	13	12	3P 4W
208-230/60/3 Water	15	15	13	12	3P 4W
220-240/50/1 Air	25	20	19	17	2P 3W
220-240/50/1 Water	25	20	18	17	2P 3W
380-415/50/3N~ Air	9	8	8	6	4P 5W
380-415/50/3N~ Air, Syrup	10	8	9	6	4P 5W
380-415/50/3N~ Water	9	8	9	6	4P 5W
220/380/60/3 Air	10	8	9	7	4P 5W
220/380/60/3 Water	12	12	12	11	4P 5W

This unit may be manufactured in other electrical characteristics and may have additional regulatory agency approvals. Consult the local Taylor Distributor for other electrical characteristics and agency approvals based on specific electrical and country requirements.

(For exact electrical information, approval marks, and refrigerant, always refer to the data label of the unit.)

Continuing research results in steady improvements; therefore, these specifications are subject to change without notice.

Bidding Specs

Electrical: Volt _____ Hz _____ ph _____
 Neutral: Yes No **Cooling:** Air Water NA

Options: _____

All options may not be available in combination with others or with all electrical or cooling configurations. Please consult your local Taylor distributor.

Authorized Taylor Distributor

Specifications

Electrical

Two dedicated electrical connections are required. See the electrical chart for the proper electrical requirements. Manufactured to be permanently connected. Consult your local Taylor distributor for cord and receptacle specifications as local codes allow.

Beater Motor

Two, 1.5 hp.

Refrigeration System

Two, 10,100 BTU/hr. R449A. Separate Hopper Refrigeration (SHR), one, 400 BTU/hr. R134a. (BTUs may vary depending on compressor used.)

Air-Cooled

Minimum 3" (76 mm) around all sides. Install the deflector provided to prevent recirculation of warm air. Minimum air clearances must be met to ensure adequate airflow for optimum performance.

Water-Cooled

Water inlet and drain connections underside of base 1/2" FPT.

Accessories

- Cone Dispenser
- Drain Adaptor (for ease of rinsing and cleaning)
- Draw Valve Lock Kit
- Faucet
- Hopper Locks
- Syrup Rail Kit (side mount)

Options

- Hopper Agitators
- Panel Spinner
- Syrup Rail (integrated)
- Syrup Rail Kit (side mount)



750 N. Blackhawk Blvd.
 Rockton, Illinois 61072
www.taylor-company.com