



Item No. _____

390

Frozen Uncarbonated Beverage Freezer

Single Flavor

Features

Serve non-dairy frozen beverages, like smoothies, frozen lemonade, cocktails, fruit juices, coffees, cappuccino, and tea. Pre-mix directly into a cup or blend flavors for more variety.

Freezing Cylinder

One, 7 quart (6.6 liter).

Mix Hopper

One, 20 quart (18.9 liter). An adjustable setting in the refrigeration system maintains mix temperatures in the hopper.

Indicator Lights

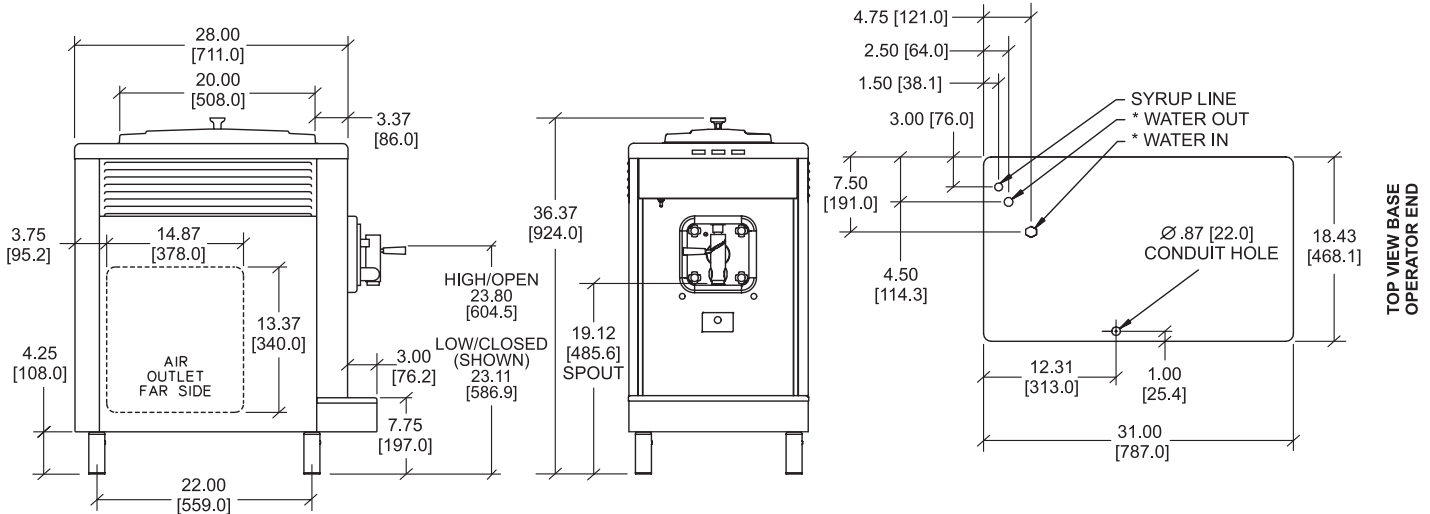
The Add Mix light flashes to alert the operator to add mix. When the Mix Out light flashes, the unit shuts down to prevent damage.

Electronic Viscosity Control

Refrigeration is regulated by measuring product viscosity. Adjustable control allows the operator to serve a wide variety of frozen beverages at the desired thickness.

Continuous Auto Fill System (Optional)

Mix supply to the hopper can be replenished automatically from a remote delivery system customized to suit your business by your local Taylor distributor.



FIGURES IN BRACKETS INDICATE MILLIMETERS / DECIMAL AND FRACTIONAL DIMENSIONS EQUAL TO (PLUS OR MINUS 1/16 INCH [1.5mm]). * WATER COOLED UNITS ONLY

Weights	lbs.	kgs.
Net	282	127.9
Crated	308	139.7

*For reference only

	cu. ft.	cu. m.
Volume	16.3	0.46

Dimensions	in.	mm.
Width	18-7/16	468
Depth	31	787
Height	36-3/8	924
Counter Clearance	4-1/4	108

*Mounted on standard legs

Electrical	Maximum	Minimum	Poles (P) Wires (W)
	Fuse Size	Circuit Ampacity	
208-230/60/1 Air	15	12	2P 3W
208-230/60/1 Water	15	12	2P 3W
208-230/60/3 Air	15	9	3P 4W
208-230/60/3 Water	15	8	3P 4W
220-240/50/1 Air	15	10	2P 3W

This unit may be manufactured with other electrical characteristics and may have additional regulatory agency approvals. Consult the local Taylor distributor for other electrical characteristics and agency approvals based on specific electrical and country requirements.

(For exact electrical information, approval marks, and refrigerant, always refer to the data label of the unit.)

Continuing research results in steady improvements; therefore, these specifications are subject to change without notice.

Bidding Specs

Electrical: Volt _____ Hz _____ ph _____
 Neutral: Yes No Cooling: Air Water NA

Options:

All options may not be available in combination with others or with all electrical or cooling configurations. Please consult your local Taylor distributor.

Authorized Taylor Distributor

Specifications

Electrical

One dedicated electrical connection is required. See the electrical chart for the proper electrical requirements. Manufactured to be permanently connected. Consult your local Taylor distributor for cord and receptacle specifications as local codes allow.

Beater Motor

One, 1/2 hp.

Refrigeration System

One, 7,500 BTU/hr. R449A.
 (BTUs may vary depending on compressor used.)

Air-Cooled

Minimum Clearance: 6" (152 mm) on both sides. Place the rear of the unit against the wall to prevent recirculation of warm air. Minimum air clearances must be met to ensure adequate airflow for optimum performance.

Water-Cooled

Water inlet and drain connections underside of base 3/8" FPT.

Options

- Customized Mix Delivery System with Continuous Fill



750 N. Blackhawk Blvd.
 Rockton, Illinois 61072
www.taylor-company.com