



Item No. _____

C043

Continuous Dispensing Custard Dispenser

C043 Dispenser



Requires three remote condensing systems
(Three Taylor Model RC35 Remote Condensing Systems required for warranty coverage)

Features

Offer premium frozen custard, low overrun ice cream, or sorbet in three separate flavors.

Mix Hopper

Three, 30 quart (28.4 liter). Separate hopper refrigeration (SHR) maintains mix below 41°F (5°C).

Indicator Lights

Lights indicate when mix is low in the hopper.

Product Chute

Ribbon of frozen product flows down chute to separate dipping cabinet. Easily removable for cleaning or moving dipping cabinet.

Mix Flow Regulator

Convenient dials with easy to read markings allow operator to adjust the correct amount of mix flowing into freezing cylinder for proper consistency.

Safety Features

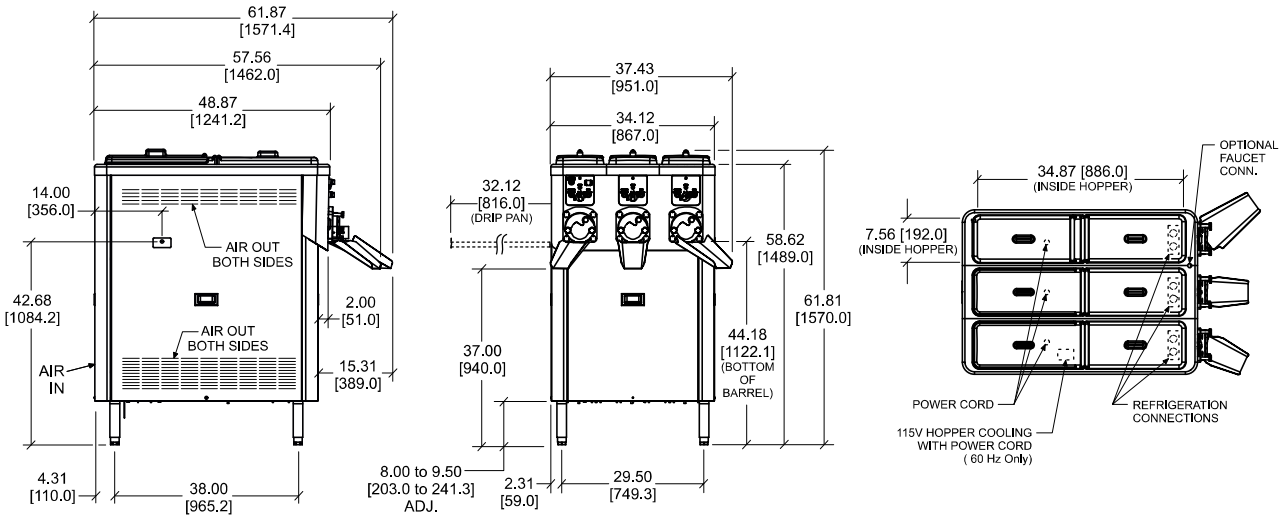
To protect users from accidental injury:

- Beater motor will not rotate unless door is in place.
- Finger guards installed in opening of dispensing door.

750 N. Blackhawk Blvd. Rockton, Illinois 61072
800-255-0626
Phone 815-624-8333 Fax 815-624-8000
www.taylor-company.com
info@taylor-company.com

ISO 9001:2008
Registered Firm





TOP VIEW - OPERATOR END
ALL CONNECTIONS LOCATED UNDERSIDE OF BASE

FIGURES IN BRACKETS INDICATE MILLIMETERS / DECIMAL AND FRACTIONAL DIMENSIONS EQUAL TO (PLUS OR MINUS 1/16 INCH [1.5mm]).

Weights	lbs.	kgs.
Net	943	427.7
Crated	1091	494.9
	cu. ft.	cu. m.
Volume	84.8	2.40
Dimensions	in.	mm.
Width	34-1/8	867
Depth	48-7/8	1242
Height	61-13/16	1570
Clearance	8 to 9-1/2 Adj.	203 to 241 Adj.

Mounted on standard legs

Electrical	Maximum Fuse Size	Minimum Circuit Ampacity	Poles (P) Wires (W)	Dedicated Connections
Four Dedicated Connections				
208-230/60/3	20	8	3P 4W	3
115/60/1	15	6	2P 3W	1
200/50/60/3	20	7	3P 4W	3
100/50/60/1	15	6	2P 3W	1
Electrical	Maximum Fuse Size	Minimum Circuit Ampacity	Poles (P) Wires (W)	Dedicated Connections
Three Dedicated Connections				
380-415/50/3N~	12	11	4P 5W	3

Specifications

Electrical

Four dedicated electrical connections are required for 60 Hz. & 50/60 Hz. Three dedicated electrical connections are required for 50 Hz. See the Electrical chart for the proper electrical requirements. Dispensing electrical connections may be permanently connected. Hopper cooling is cord connected. Consult your local Taylor distributor for cord & receptacle specifications as local codes allow.

Beater Motor

Three, 2.0 HP.

Refrigeration System

Requires three remote condensing systems. (Taylor Model RC35 required for warranty coverage)
Refrigerant lines from C043 to RC35:
Suction Line - 7/8" O.D. (Copper)
Discharge Line - 3/8" O.D. (Copper)

Separate Hopper Air Cooled Refrigeration

One, 1,000 BTU/hr. R134A
(BTUs may vary depending on compressor used.)
Requires separate 115 volt power supply, cord connected.

Clearance

Minimum Clearance of 3" (76 mm) on left side and rear, 0" (0mm) on right side. Drip pan can be installed on either side. Allow 36" (914 mm) on the side drip pan is installed. Allow 36" (914 mm) in the rear for service access.

Options

- Dipping Cabinet (Consult your local Taylor distributor)
- Dipping Well (Consult your local Taylor distributor)
- Faucet

This unit may be manufactured in other electrical characteristics and may have additional regulatory agency approvals. Consult the local Taylor Distributor for other electrical characteristics and agency approvals based on specific electrical and country requirements.

(For exact electrical information and approval marks, always refer to the data label of the unit.)

Continuing research results in steady improvements; therefore, these specifications are subject to change without notice.

Bidding Specs

Electrical: Volt _____ Hz _____ ph _____
Neutral: Yes No Cooling: Air Water NA

Options: _____

Authorized Taylor Distributor