



Item No. _____

150

Soft Serve Freezer

Single Flavor, Taylormate®

Features

Offer all the popular soft serve variations from low or non-fat ice creams to custards, yogurt and sorbet.

Freezing Cylinder

One, 1.5 quart (1.4 liter).

Mix Hopper

One, 8 quart (7.6 liter). Separate hopper refrigeration (SHR) maintains mix below 41°F (5°C) in Auto and Standby modes.

Indicator Lights

The Mix Low light alerts the operator to add mix.

Solid State Controls

Taylor Quality Control (TQC) precisely monitors viscosity to maintain consistent quality.

Standby

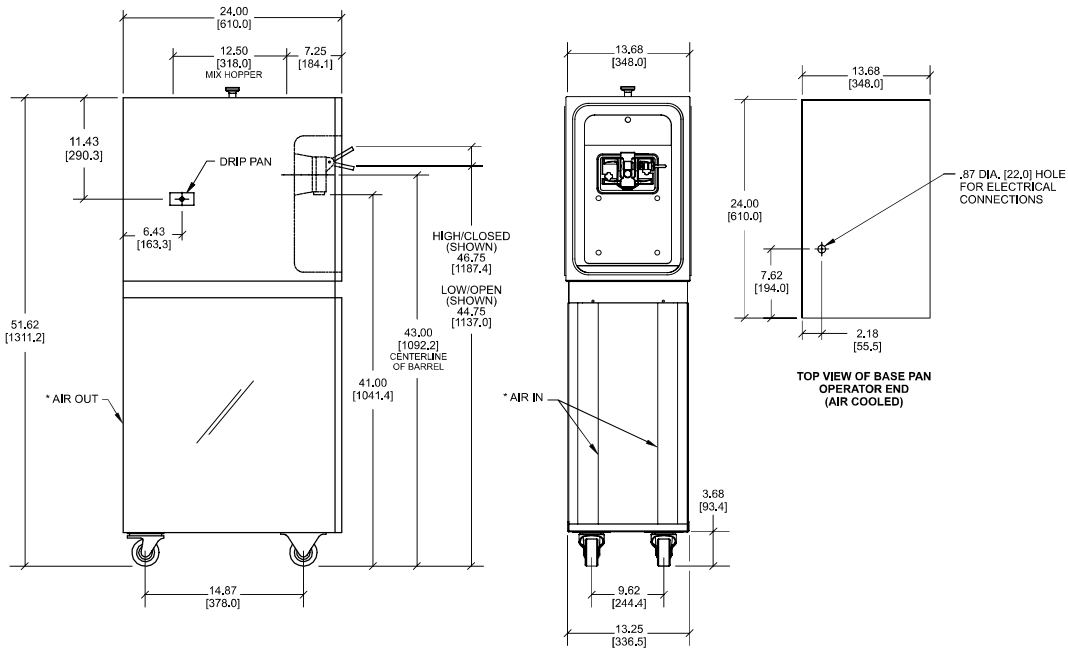
During long no-use periods, the standby feature maintains safe product temperatures in the mix hopper and freezing cylinder.

Two Locking Casters

Front casters have a locking feature for operators to keep equipment in place. The lock can be released to move the equipment for cleaning.

Door Interlock System

Protects the operator from injury as the beater will not operate without the dispensing door in place.



FIGURES IN BRACKETS INDICATE MILLIMETERS / DECIMAL AND FRACTIONAL DIMENSIONS EQUAL TO (PLUS OR MINUS 1/16 INCH [1.5mm]). NOTE: * AIR COOLED ONLY

Weights	lbs.	kgs.
Net	250	113.4
Crated	292	132.4
Volume	cu. ft.	cu. m.
	21.1	0.60
Dimensions	in.	mm.
Width	13-11/16	348.0
Depth	24	610
Height	51-5/8	1311.2
Floor Clearance	3-11/16	94.0

*Mounted on standard casters

Electrical	Total Amps	Supplied with NEMACord
115/60/1 Air	16.0	5-20P
208-230/60/1 Air	10.2	6-15P
220-240/50/1 Air	7.8	---

Specifications

Electrical

One dedicated electrical connection is required. See the Electrical chart for the proper electrical requirements. Manufactured to be cord connected. Consult the international Taylor distributor for cord & receptacle specifications for 50 Hz. equipment.

Beater Motor

One, 0.5 HP

Refrigeration System

One, 3,000 BTU/hr. R404A.
(BTUs may vary depending on compressor used.)

Air Cooled

Minimum 6" (152 mm) on both sides. Install the skirt provided on the right side of the unit and place the back of the unit against a wall to prevent recirculation of warm air. Minimum air clearances must be met to assure adequate air flow for optimum performance.

Options

- Cone Dispenser

This unit may be manufactured in other electrical characteristics and may have additional regulatory agency approvals. Consult the local Taylor Distributor for other electrical characteristics and agency approvals based on specific electrical and country requirements.

(For exact electrical information and approval marks, always refer to the data label of the unit.)

Continuing research results in steady improvements; therefore, these specifications are subject to change without notice.

Bidding Specs

Electrical: Volt _____ Hz _____ ph _____
Neutral: Yes No Cooling: Air Water NA

Options: _____

Authorized Taylor Distributor



750 N. Blackhawk Blvd.
Rockton, Illinois 61072
www.taylor-company.com